

Technical installation instructions

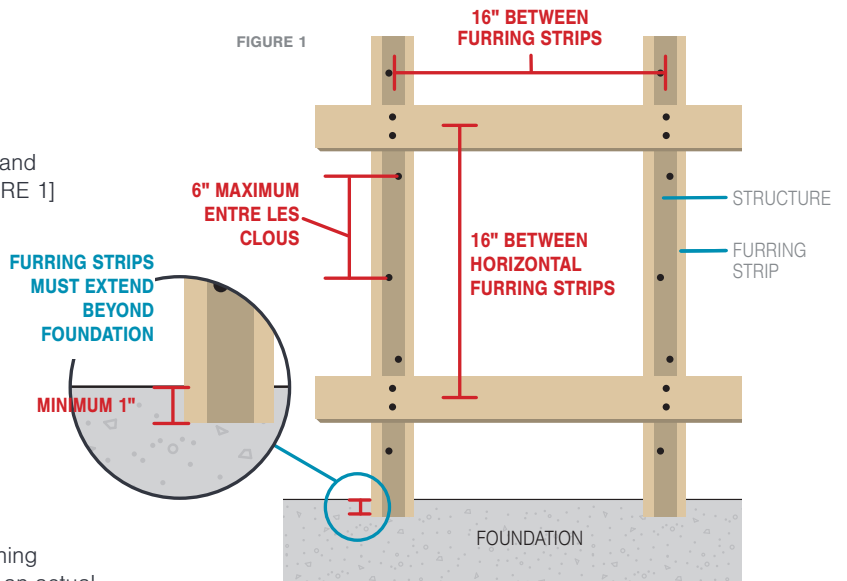
Board and batten

This document outlines the key requirements for properly installing the board and batten profile in Maibec CanExel™ substrate. **THIS DOCUMENT IN NO WAY REPLACES THE COMPLETE MAIBEC CANEXEL™ INSTALLATION GUIDE, WHICH MUST BE FOLLOWED IN ITS ENTIRETY.**

WALL PREPARATION

DOUBLE FURRING

- Install vertical furring strips of at least 3/8" thick.
- Then install horizontal 1" x 3" furring strips over the vertical furring strips every 16".
- **Double furring is mandatory in Quebec and the Maritimes** to ensure continuous ventilation and water drainage. Recommended in Ontario. [FIGURE 1]
- **Diagonal furring is allowed in Quebec, Ontario and Maritimes.** Furring strips must be a minimum of 25 mm actual (1") thick and nailed directly into the framing or combined structural wood sheathing and framing.
- **Horizontal furring only allowed in Ontario** provided you have:
 - Furring strips every 16".
 - 1" spacing between the ends of furring strips for adequate water drainage.
 - A full 1" nailing base, obtained either by combining a furring strip and OSB or plywood or by using an actual 1" or 2" x 3" furring strip.



Double furring is strongly recommended for foam insulation panels or insulating concrete forms (ICF). This will allow any heat or moisture accumulated between the siding and the foam/ICF insulation to evacuate more readily, resulting in optimal siding performance.

NAILS/FASTENING OF THE BOARD

When possible, maintain a minimum 1-1/4" fastener penetration into the stud, strapping, or combination thereof

- Nailable sheathing may be included in the penetration requirement.
- 1 1/8" minimum stud penetration for spiral shank.

Increase nail penetration if code requires.

FIGURE 2

CONDITION

- Snug
- Flush
- Visible fiber
- Countersunk 1/16" - 1/8"
- Countersunk more than 1/8"

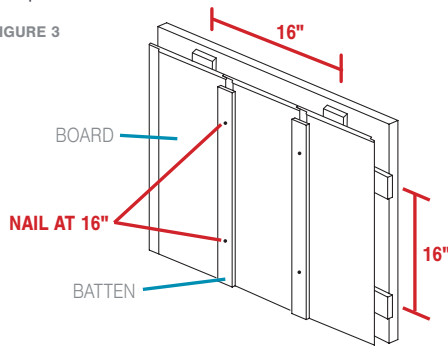
CORRECTION

- OK
- OK
- Paint
- Seal with caulking
- Seal with caulk and re nail

NAILS/FASTENING OF THE BATTEN

- Nails must have a minimum length of 2".
- Center the batten above the groove and nail at 16".
- Touch-up all the nails.

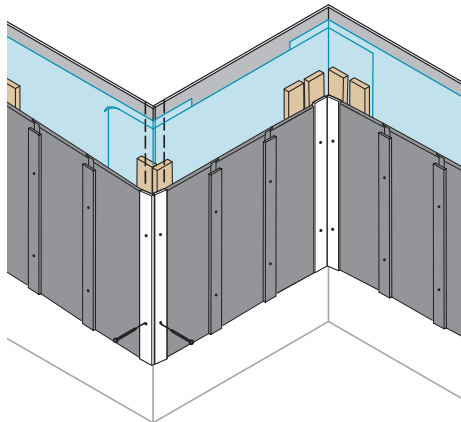
FIGURE 3



FOR CORNERS

- Pre-drill a hole every 16" through the batten and the board.
- Nail through the predrill hole. Nails must be at least 2" long.
- Perform the touch ups on every nail per the technical installation instruction.
- Never recut the batten. The original paint must remain on the edge.

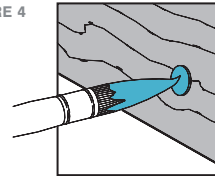
FIGURE 6



TOUCH-UPS

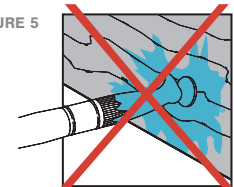
- To ensure the optimal performance of the siding and stain, all visible nails must be resealed. This will prevent water from seeping into the wood fibres and causing rot over time.
- When siding is installed vertically the lower end of the laps must be protected from the elements.

FIGURE 4



APPLY PRECISELY

FIGURE 5

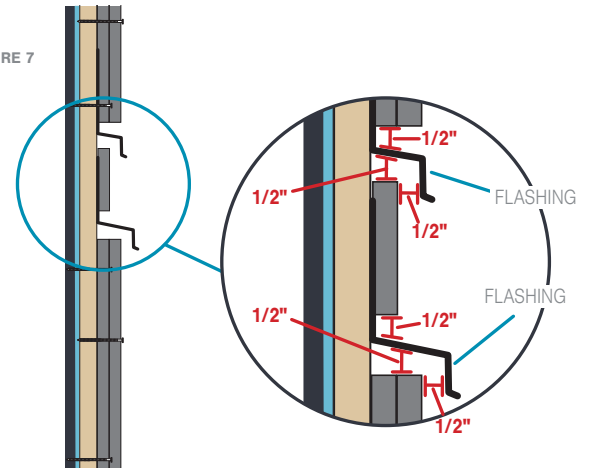


DO NOT SPILLOVER
OR OVERBRUSH

FOR TRANSITION

- For any horizontal installation of a batten trim, a Z flashing must be installed on top of the trim. Then perform the touch ups on every visible nail.
- It is recommended to put an additional Z flashing trim at the lower end of the horizontal trim.

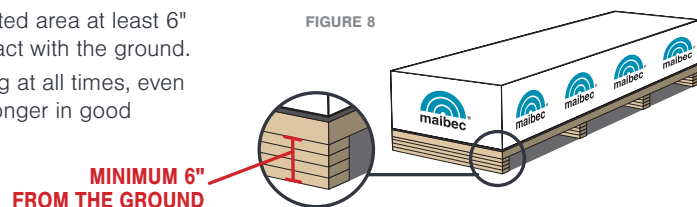
FIGURE 7



STORAGE

- Keep the siding in a dry, unheated and well-ventilated area at least 6" from the ground. Never let it come into direct contact with the ground.
- Cover any unused siding with its original packaging at all times, even during installation. If the original packaging is no longer in good condition, cover the siding with a waterproof tarp.
- Touch-up stain must always be kept at room temperature (max 38°C/100°F).

FIGURE 8



COMPLIANCE WITH MAIBEC CANEXEL'S INSTALLATION, STORAGE AND MAINTENANCE REQUIREMENTS, AND WITH ALL APPLICABLE BUILDING CODES IS MANDATORY. PROBLEMS CAUSED BY FAILURE TO COMPLY WITH THESE REQUIREMENTS AND CODES MAY NOT BE COVERED BY THE APPLICABLE WARRANTIES.