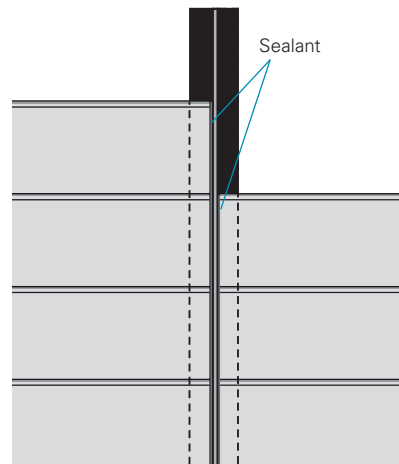
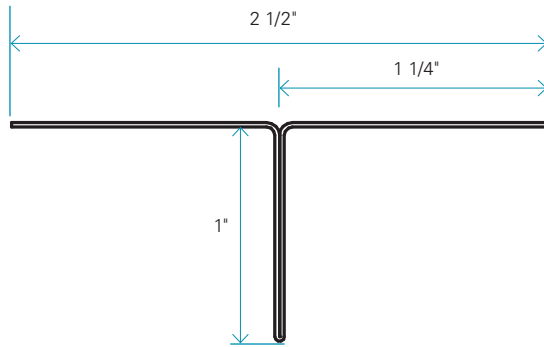


"T" Transition Trim



ACTUAL DIMENSIONS	LENGTH	INSTALLATION
2 1/2" x 1"	10'	Vertically

General Specifications

"T" transition trim, used to join 2 sections of Maibec genuine wood siding. Requires the application of sealant between the trim and the siding.

PACKAGING

- Pieces of 10'

AVAILABLE COLOUR

- Black

For exterior use only.

INSTALLATION

- Leave a spacing of 1/4" between the lap siding and the bottom of the "T" transition trim.