

# CONCEALoc<sup>®</sup> Hidden Fastener

## L-BRACKET CLIP INSTALLATION INSTRUCTIONS AND TIPS

L-Bracket Clips are designed for use on the first and last planks when installing TimberTech AZEK, PRO, and EDGE decking. (NOTE: The L-Bracket Clip is not for use with with scalloped boards such as those from the TimberTech Terrain, Prime, and Prime+ collections). The L-Bracket Clip is also for use on butt joints to eliminate the need to sister joists.

**IMPORTANT:** Read all instructions carefully and completely to ensure proper installation.

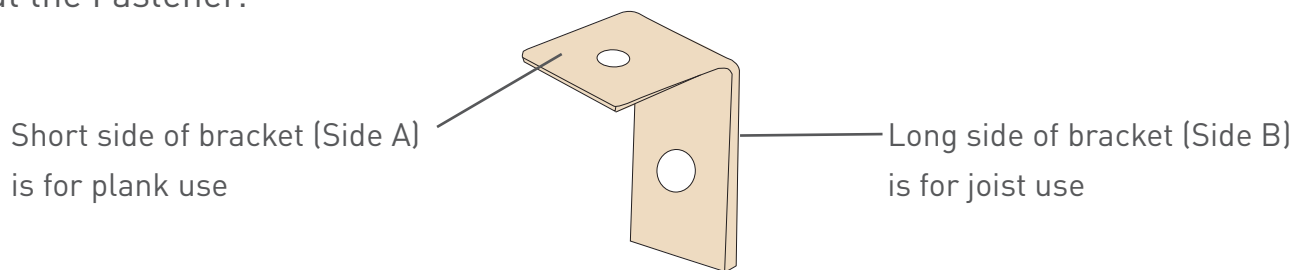
**WARNING:** Parts have sharp points & edges. Use extreme caution when handling & installing. Wear safety glasses at all times.

### GETTING STARTED

**Tools & Materials Needed:**

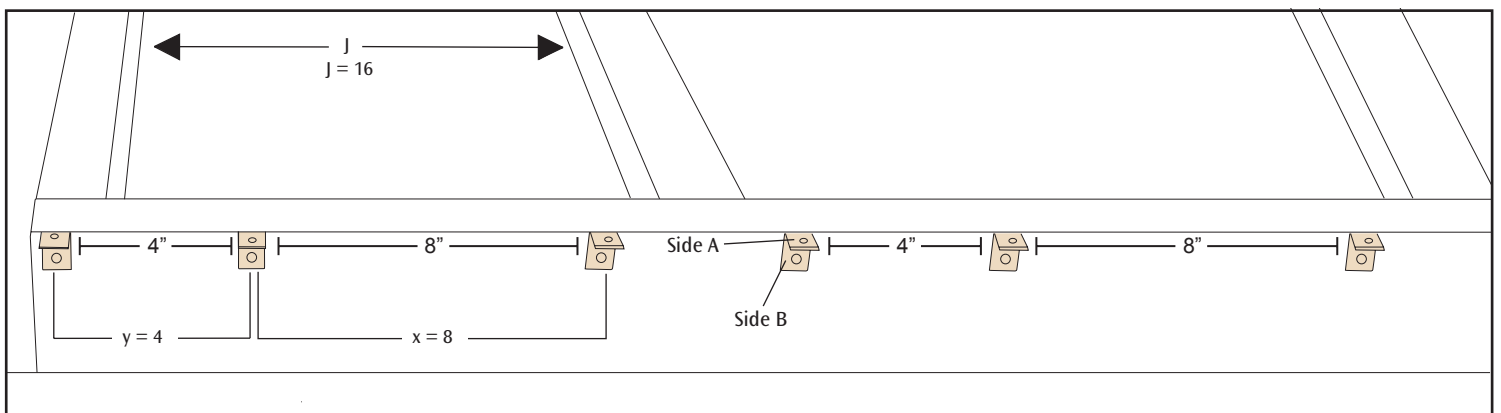
- Safety glasses
- Screw gun with torque setting
- Carpenter pencil
- 1-1/2" Joist screw (provided)
- 3/4" Plank screw (provided)

About the Fastener:



**Clip Spacing:** For either installation option, locate and install one L-Bracket at the start and end of the plank in the corner where the joist meets the rim joist. Then install two clips in every joist bay spaced where  $x = J/2$  and  $y = J/4$  where [J] is the center to center spacing of the joist.

See drawing below for clip spacing:

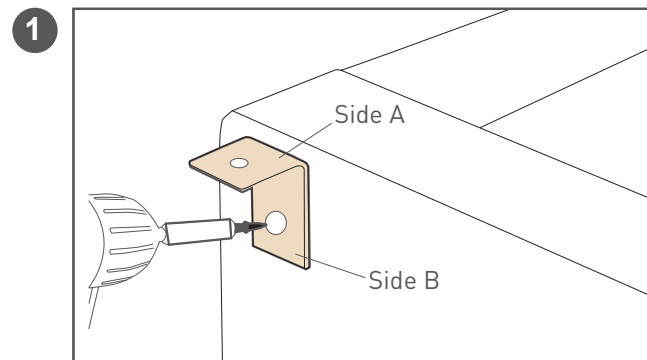


### WHEN USING ON FIRST PLANK AS A "START CLIP"

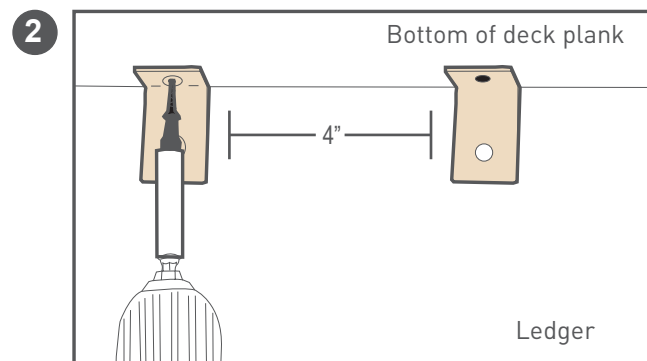
We recommend starting from the outside and working your way towards the house. This way, if the last board needs to be ripped, it will be less visible.

Option A:

Start with the first plank overhanging the rim joist.



Use the 1-1/2" joist screw provided to install the L-Bracket into the outside of the rim joist.

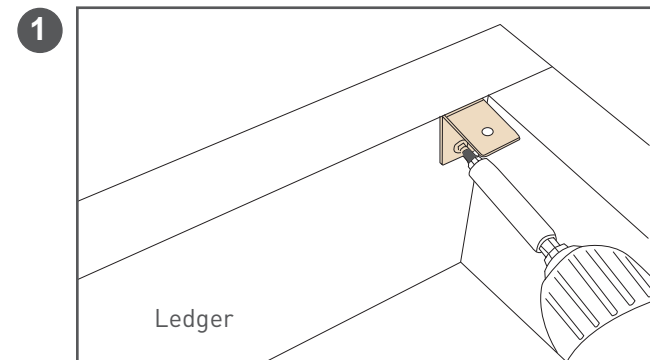


Then use the 3/4" plank screw to attach the L-Bracket to the underside of the plank.

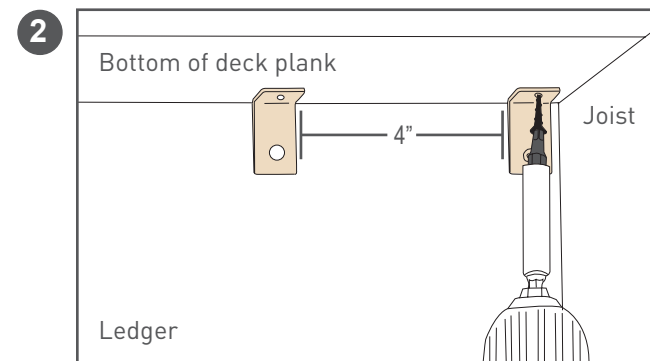
NOTE: Refer to "clip spacing diagram" for proper clip spacing.

Option B:

Start with the first plank flush with the outside of the rim joist.



Use the 1-1/2" joist screw provided to install the L-Bracket into the inside of the rim joist.



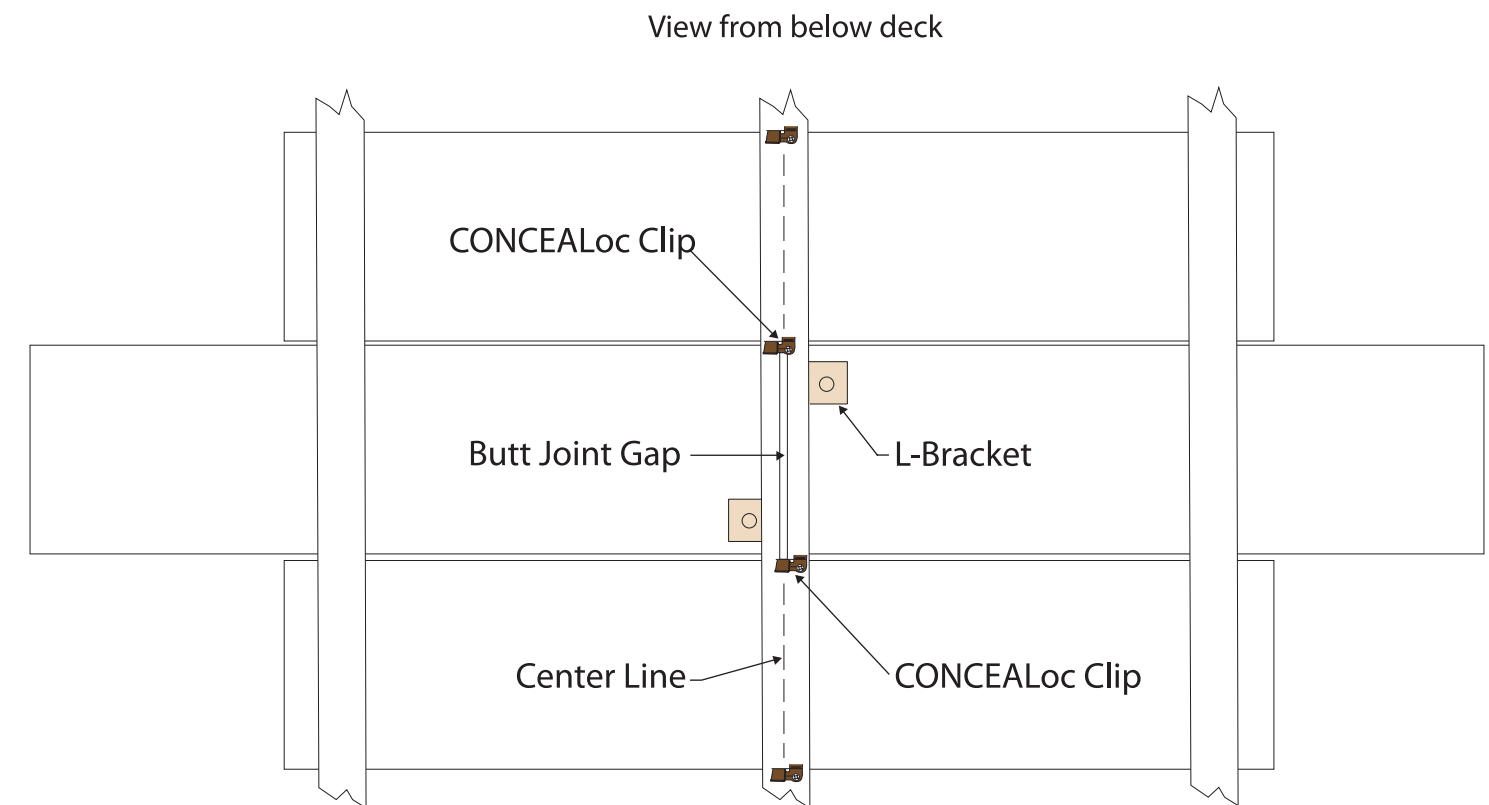
Then use the 3/4" plank screw to attach the L-Bracket to the underside of the plank.

NOTE: Refer to "clip spacing diagram" for proper clip spacing.

### WHEN USING ON BUTT SEAMS AS A "BUTT JOINT CLIP"

Butt joint must fall on the center line of the joist. One of the planks that make up the butt joint will attach to the previous plank's CONCEALoc clip. This plank will get (1) L-Bracket fastened to it on the outer edge of the board -- see diagram.

The other plank that makes up the butt joint will attach to the next plank's CONCEALoc clip -- at this point that clip is not installed. Noting where that clip will connect with this plank, install (1) L-Bracket to the opposite edge of this plank -- see diagram



### WHEN USING ON LAST PLANK AS A "STOP CLIP"

To use the L-Bracket on the last board, you must have sufficient access to the underside of the deck. This is so you can attach each L-Bracket into the underside of the plank.

Once the other planks are installed, you will not be able to access the underside of the last plank from above. In general, you need several feet of clearance from the ground below to get underneath and attach the L-Bracket to the plank.

Follow the same installation and spacing instructions above.

### CUSTOMER SUPPORT

For more information on TimberTech products visit: [timbertech.com](http://timbertech.com)